

EXPLOSION PROOF BLUETOOTH SERIAL ADAPTER



The Solexy Bluetooth wireless serial adapter is a cost effective solution for serial data transmission.

The Class 1 Bluetooth radio can reach wireless transmission distance of 100 meters.

Available for RS232 or RS485/422 serial port, making it a flexible solution for M2M applications.

With Solexy's WA and WS enclosures and their rugged construction combined with Atex and IECEx certificates, Solexy offers a wireless device solution for installation in classified Ex areas (gas, dust and mining).




FEATURES

- ✓ **OPERATING FUNCTIONS**
RS232 or RS485/RS422 serial cable replacement
- ✓ **BLUETOOTH**
v2.0 + EDR
Supports up to 4 multiple simultaneous connections
Supports Bluetooth profiles SPP (Serial Port Profile)
Interoperability with PDA, laptops, etc...
- ✓ **CONFIGURATION**
Easy to use Windows configuration tool available
(no external drivers required)



APPROVALS

ATEX / IECEx CERTIFICATION

 II 2 (1) G Ex db mb [ia Ga] IIA/IIB/IIC T6 Gb
 II 2 (1) D Ex mb tb [ia Da] IIIC T85°C Db
 I M2 (M1) Ex db mb [ia Ma] I Mb (WS only)

SPECIFICATIONS

GENERAL

Power supply	5-12VDC	
Power consumption	min 2 mA - max 80 mA	
Ambient temp. range	WA series	-20°C (-4°F) +68°C (+154°F)
	WS series	-20°C (-4°F) +61°C (+141°F)

SERIAL INTERFACE

Serial speed	up to 921.6 kbps
CTR/RTS flow control DTR/DSR for loop-back & full transfer (B10 type only)	

RADIO

Max TX power	+18 dBm
Max EDR Transmit power	+6 dBm
Receiver sensitivity	-88 dBm

BLUETOOTH INTERFACE

Bluetooth	v2.0 + EDR
Class	1
Profile	SPP

NOMENCLATURE

S WA B10 01 - 42 0 X4
 a b c d e

a Enclosure

WA	Aluminum polyester powder coated
WS	Stainless steel AISI 316 (CF8M) electropolish

b Device

B10	RS232 Bluetooth serial adapter
B11	RS485/RS422 Bluetooth serial adapter

c Antenna connection ⁽¹⁾

01	n° 1 AXN antenna coupler (N Female)
02	n° 1 AXF antenna coupler (RP-SMA Female)

d Cable entries

42	n° 4 3/4" npt-f (one used for antenna connection)
44	n° 4 M25x1.5 (one used for antenna connection)

e Approval

X3	IECEX and ATEX Gas and Dust (WA only)
X4	IECEX and ATEX Gas, Dust and Mining (WS only)

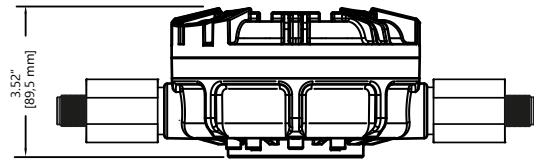
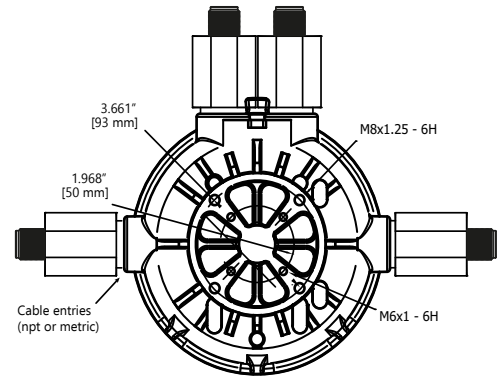
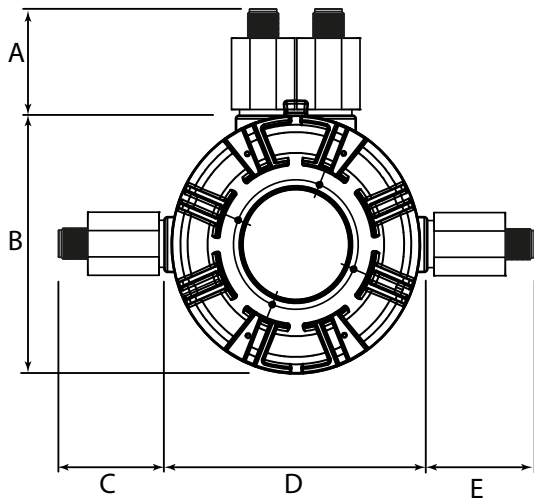
NOTE: (1) Antenna not included



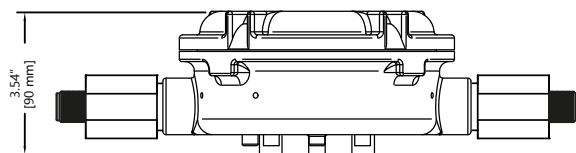
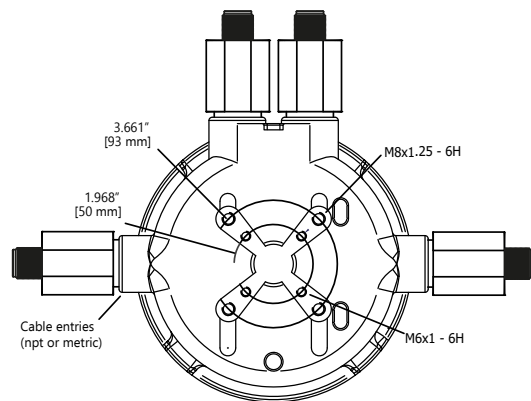
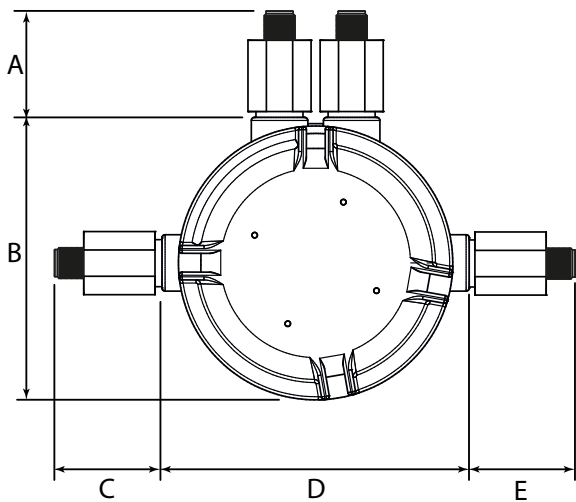
DIMENSIONAL DRAWINGS



WA



WS



SPECIFICATIONS

Device	Model	A (*)	B (*)	C (*)	D (*)	E (*)
Explosion proof VHF & UHF radiomodems						
512 542	S WA	-	179,8 mm [7.08"]	58,5 mm [2.30"]	180 mm [7.09"]	-
	S WS	-	180,5 mm [7.11"]	58,5 mm [2.30"]	196 mm [7.72"]	-
Explosion proof Modbus RTU radiomodems						
510 540	S WA	-	179,8 mm [7.08"]	58,5 mm [2.30"]	180 mm [7.09"]	-
	S WS	-	180,5 mm [7.11"]	58,5 mm [2.30"]	196 mm [7.72"]	-
51E 54E	S WA	-	179,8 mm [7.08"]	70 mm [2.76"]	180 mm [7.09"]	-
	S WS	-	180,5 mm [7.11"]	70 mm [2.76"]	196 mm [7.72"]	-
Explosion proof Router WiFi access point						
U_0 L_0 M_0 H_0 G_0	S WA	58,5 mm [2.30"]	179,8 mm [7.08"]	-	180 mm [7.09"]	-
	S WS	58,5 mm [2.30"]	180,5 mm [7.11"]	-	196 mm [7.72"]	-
U_1 L_1 M_1 H_1 G_1	S WA	58,5 mm [2.30"]	179,8 mm [7.08"]	-	180 mm [7.09"]	-
	S WS	58,5 mm [2.30"]	180,5 mm [7.11"]	-	196 mm [7.72"]	-
Explosion proof WiFi access point						
A01	S WA	-	179,8 mm [7.08"]	70 mm [2.76"]	180 mm [7.09"]	-
	S WS	-	180,5 mm [7.11"]	70 mm [2.76"]	196 mm [7.72"]	-
Explosion proof WiFi MIMO access point						
A02	S WA	-	179,8 mm [7.08"]	70 mm [2.76"]	180 mm [7.09"]	70 mm [2.76"]
	S WS	-	180,5 mm [7.11"]	70 mm [2.76"]	196 mm [7.72"]	70 mm [2.76"]
Explosion proof Bluetooth serial adapter						
B10 B11	S WA	-	179,8 mm [7.08"]	58,5 mm [2.30"]	180 mm [7.09"]	-
	S WS	-	180,5 mm [7.11"]	58,5 mm [2.30"]	196 mm [7.72"]	-
Explosion proof RF junction box						
001 002 003 004 007 008 009 010 011 012	H WA	-	179,8 mm [7.08"]	70 mm [2.76"]	180 mm [7.09"]	-
	H WS	-	180,5 mm [7.11"]	70 mm [2.76"]	196 mm [7.72"]	-

(*) dimension related to N female antenna connector

