

EXPLOSION PROOF ROUTER WIFI ACCESS POINT



The Solexy 3G/4G Router WiFi access point is a cost effective multipurpose solution for a wide range of wireless applications. Supporting GPRS/EDGE/UMTS/HSPA+/LTE making it possible for a user seeking an easy and fast mobile internet access. The internet connection is easily available and configurable via an internet browser without any need of installing software or drivers for the device.

Available with different modems and options such as Wi-Fi, dual sim, GPS receiver is an unique solution for M2M and mobile data applications (M2MCloud & M2MAir ready).

With Solexy's WA and WS enclosures and their rugged construction combined with ATEX and IECEx certificates, Solexy offers a wireless device solution for installation in classified Ex areas (gas, dust and mining).



FEATURES

- ✓ **OPERATING FUNCTIONS**
WiFi access point (Wifi to LAN or WiFi to 3G/LTE/HSPA+)
WiFi client (LAN to WiFi)
3G/4G/LTE/HSPA + client (LAN to 3G/LTE/HSPA+)
Serial (232-485) to 3G/LTE/HSPA+
Serial (232-485) to LAN
- ✓ **OPERATING FREQUENCY**
Up to quad band 800/850, 900, AWS 1700, 1900, 2100 (Telit cellular module) according to modem feature
- ✓ **ADVANCED**
S-232/485-TCP/UDP forwarding, ModBus gateway, NTRIP, SMS server, NTP server
- ✓ **MANAGEMENT**
DCHP (client/server), IEEE 802.1Q tagging, IPsec, OpenVPN, Firewall, NAT, PAT, DDNS, CARP, Static routing, Access Control, Syslog
- ✓ **OPTIONS**
GPS receiver
Dual sim
- ✓ **HEAVY DUTY CONSTRUCTION**
Explosion proof Ex d IIC enclosure made in alluminum (WA series) or stainless steel (WS series) weather proof IP66/68

APPROVALS

ATEX / IECEx CERTIFICATION

- Ex II 2 (1) G Ex db mb [ia Ga] IIA/IIB/IIC T6 Gb
- II 2 (1) D Ex mb tb [ia Da] IIIC T85°C Db
- I M2 (M1) Ex db mb [ia Ma] I Mb (WS only)

SPECIFICATIONS

GENERAL	
Power supply	6 - 30 VDC
Power consumption	5W
Ambient temp. range	WA series -20°C (-4°F) +68°C (+154°F) WS series -20°C (-4°F) +61°C (+141°F)
HARDWARE	
CPU	ARM9 450 MHz
Internal memory	128 MB RAM
RS Interface	RS232 or RS485 via RJ45 connector
LAN	Ethernet 100 Mbps
Network connection	U version UMTS 7.2 / 5.76 Mbps L version LTE 100 / 50 Mbps H version HSPA+ 21 / 5.76 Mbps
Supported bands	GSM 900 Class 4 (2W), DCS 1800 Class 1 (1W), EDGE 900MHz Class E2 (0.5W), EDGE 1800MHz Class E2 (0.4W). Plus: U version WCDMA FDD B1, B8 Class 3 (0.25W) L version WCDMA FDD B1, B5, B8 Class 3 (0.25W), LTE FDD B3, B7,B20 Class 3 (0.2W) H version WCDMA FDD B1, B2, B4, B5, B8 Class 3 (0.25W)
Data features	HSPA+ (downlink 21 Mbit/s, uplink 5,76 Mbit/s) UMTS (downlink 7,2 Mbit/s, uplink 5,76 Mbit/s) EDGE (Multi-slot class 10, max BR downlink 236,8 Kb/s) GPRS (Multi-slot class 10, max BR downlink 85,6 Kb/s) CSD (Max BR 14,4 Kb/s) Embedded protocols TCP/IP, UDP/IP, SSL, HTTP, HTTPS, FTP, SMTP, POP3, IBM MQTT Class B GSM 07.10 multiplexing protocol
WiFi	802.11 b/g/n, 802.3, 802.3u, data rate up to 150 Mbps Up to 8 simultaneous connection
SOFTWARE	
Management	DHCP (client/server), IEEE 802.1Q tagging, IPsec, OpenVPN, Firewall, NAT, PAT, DDNS, CARP, Static routing, Access control, Syslog
Advanced	RS-232/485-TCP/UDP forwarding, ModBus gateway, NTRIP, SMS server, NTP

Data contained in this specification are subject to change without notice

NOMENCLATURE

S **WA** **H** **2** **1** **11** - **42** **0** **X4**
a **b** **c** **d** **e** **f** **g**

a Enclosure

WA Aluminum polyester powder coated
WS Stainless steel AISI 316 (CF8M) electropolish

b Device

U 3G
L LTE ⁽¹⁾
M LTE ^{(1) (2)}
H HSPA+
G HSPA+ ⁽²⁾

c Sim slot

1 Single sim
2 Dual sim

d Interface

0 Cellular, Serial, LAN
1 Cellular, WiFi, Serial, LAN

e Antenna connection ⁽³⁾

01 n° 1 AXN antenna coupler (N Female)
11 n° 2 AXN antenna coupler (N Female)
02 n° 1 AXF antenna coupler (RP-SMA Female)
22 n° 2 AXF antenna coupler (RP-SMA Female)
12 n° 1 AXF antenna coupler (RP-SMA Female)
+ n° 1 AXN (N Female)

f Cable entries

42 n° 4 3/4" npt-f (one used for antenna connection)
44 n° 4 M25x1.5 (one used for antenna connection)

g Approvals

X3 IECEx & ATEX Dust and IIC Gas Group (WA with M and G device only)
X4 IECEx & ATEX Mining, Dust and IIC Gas Group (WS with M and G device only)
X5 IECEx & ATEX Dust and IIB Gas Group (WA with U, L, H device only)
X6 IECEx & ATEX Mining, Dust and IIB Gas Group (WS with U, L, H device only)

NOTE: (1) Approved for use in European Union only
(2) RF low power device suitable for use in IIC gas group
(3) Antenna not included



SOLEXY USA, LLC

10168 International Blvd. - Cincinnati (OH) 45246 USA . Phone: (+1) 513.860.5465 - Fax: (+1) 513.860.5464 . Email: usa@solexy.net

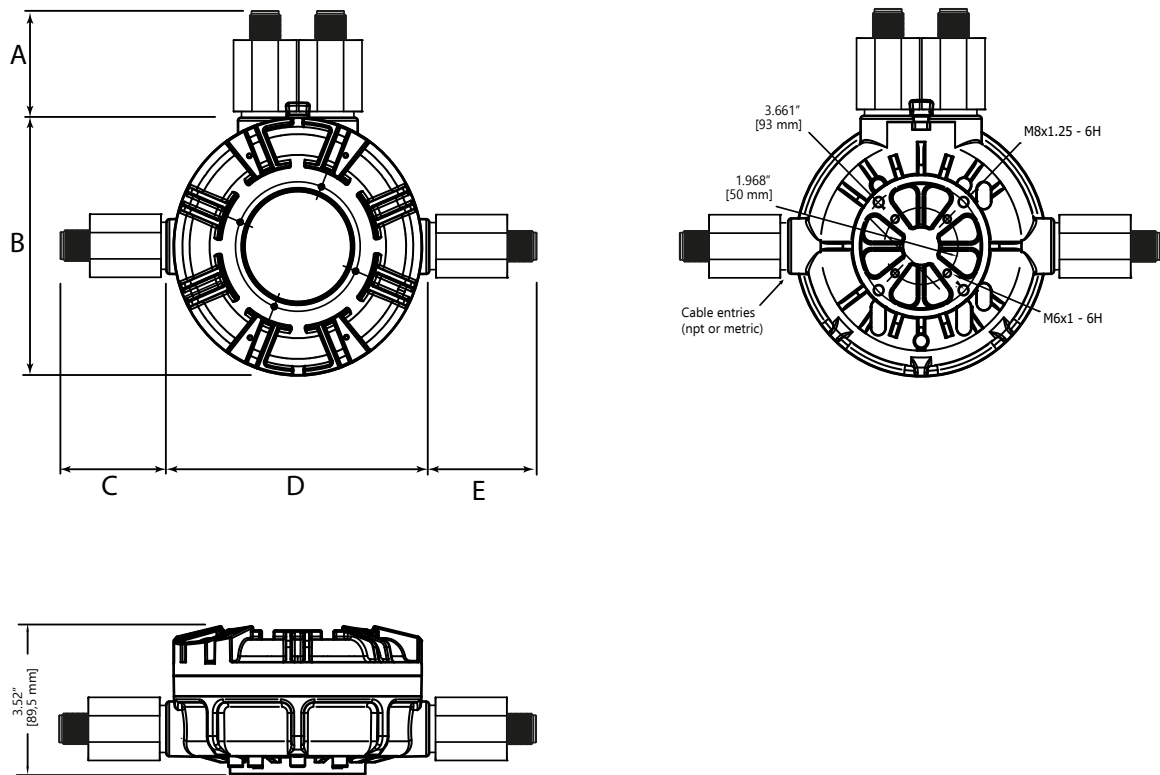
www.solexy.net



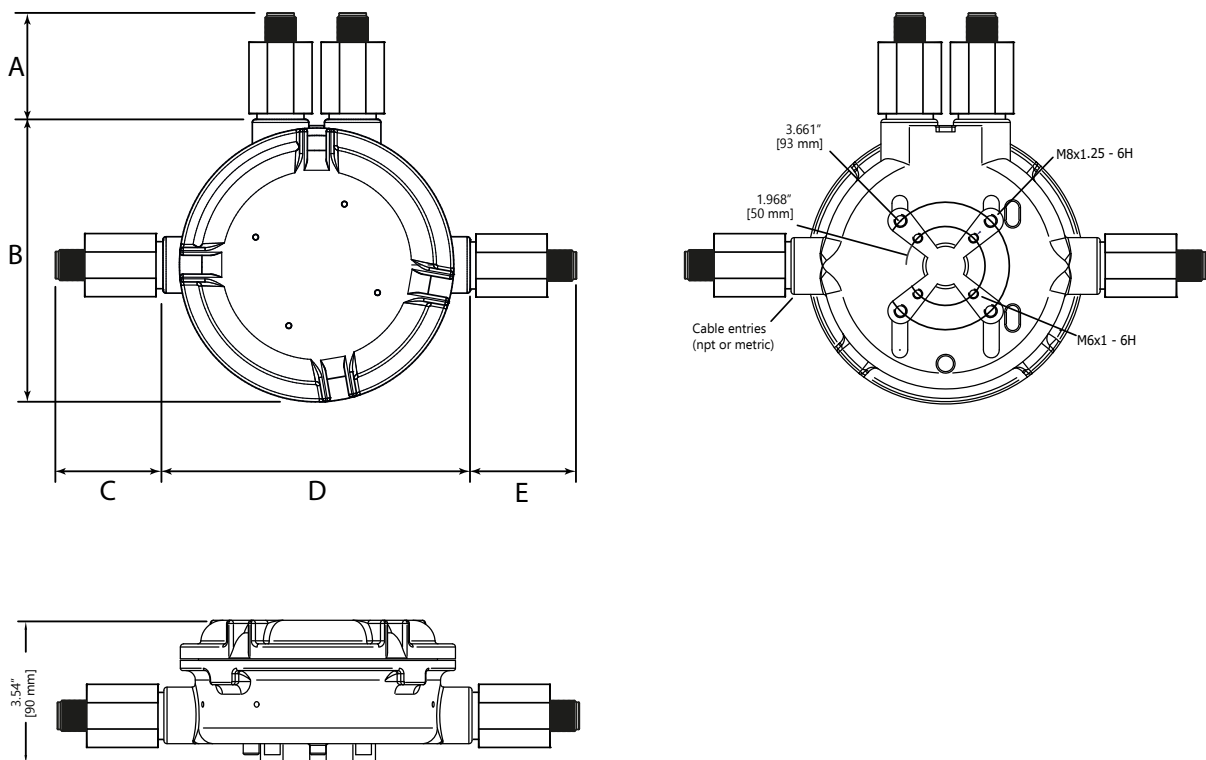
DIMENSIONAL DRAWINGS



WA



WS



SPECIFICATIONS

Device	Model	A (*)	B (*)	C (*)	D (*)	E (*)
Explosion proof VHF & UHF radiomodems						
512 542	S WA	-	179,8 mm [7.08"]	58,5 mm [2.30"]	180 mm [7.09"]	-
	S WS	-	180,5 mm [7.11"]	58,5 mm [2.30"]	196 mm [7.72"]	-
Explosion proof Modbus RTU radiomodems						
510 540	S WA	-	179,8 mm [7.08"]	58,5 mm [2.30"]	180 mm [7.09"]	-
	S WS	-	180,5 mm [7.11"]	58,5 mm [2.30"]	196 mm [7.72"]	-
51E 54E	S WA	-	179,8 mm [7.08"]	70 mm [2.76"]	180 mm [7.09"]	-
	S WS	-	180,5 mm [7.11"]	70 mm [2.76"]	196 mm [7.72"]	-
Explosion proof Router WiFi access point						
U_0 L_0 M_0 H_0 G_0	S WA	58,5 mm [2.30"]	179,8 mm [7.08"]	-	180 mm [7.09"]	-
	S WS	58,5 mm [2.30"]	180,5 mm [7.11"]	-	196 mm [7.72"]	-
U_1 L_1 M_1 H_1 G_1	S WA	58,5 mm [2.30"]	179,8 mm [7.08"]	-	180 mm [7.09"]	-
	S WS	58,5 mm [2.30"]	180,5 mm [7.11"]	-	196 mm [7.72"]	-
Explosion proof WiFi access point						
A01	S WA	-	179,8 mm [7.08"]	70 mm [2.76"]	180 mm [7.09"]	-
	S WS	-	180,5 mm [7.11"]	70 mm [2.76"]	196 mm [7.72"]	-
Explosion proof WiFi MIMO access point						
A02	S WA	-	179,8 mm [7.08"]	70 mm [2.76"]	180 mm [7.09"]	70 mm [2.76"]
	S WS	-	180,5 mm [7.11"]	70 mm [2.76"]	196 mm [7.72"]	70 mm [2.76"]
Explosion proof Bluetooth serial adapter						
B10 B11	S WA	-	179,8 mm [7.08"]	58,5 mm [2.30"]	180 mm [7.09"]	-
	S WS	-	180,5 mm [7.11"]	58,5 mm [2.30"]	196 mm [7.72"]	-
Explosion proof RF junction box						
001 002 003 004 007 008 009 010 011 012	H WA	-	179,8 mm [7.08"]	70 mm [2.76"]	180 mm [7.09"]	-
	H WS	-	180,5 mm [7.11"]	70 mm [2.76"]	196 mm [7.72"]	-

(*) dimension related to N female antenna connector

