

EXPLOSION PROOF WIFI ACCESS POINT



The Solexy WA/WSA01 is the smallest and most powerful WiFi access point (AP) rated for installation in hazardous locations and harsh environments.

Completely configurable through its Ethernet or WiFi port via your internet browser without the need of installing any software or driver for the device.

The WA/WSA01 provides three different operating functions: AP, WiFi client and/or WDS repeater. It can be powered using the same Ethernet cable used for data or independently.

With Solexy's WA and WS enclosures and their rugged construction water proof IP66 and IP68 combined with Atex and IECEx certificates, Solexy offers a wireless device solution for installation in classified Ex areas (gas, dust and mining) and harsh environments, including temporary submersion.

FEATURES

- ✓ **OPERATING FUNCTIONS**
WiFi Access Point, WiFi Client, Repeater
- ✓ **WIFI**
802.11 b/g/n
- ✓ **ETHERNET CONNECTION**
Terminal strip or optional RJ45 connector. On request the unit can be supply complete of Solexy Ethernet barrier BX series.
- ✓ **HEAVY DUTY CONSTRUCTION**
Explosion proof Ex d IIC enclosure made of alluminum (WA series) or stainless steel (WS series) weather proof IP66/68.



APPROVALS

ATEX / IECEx CERTIFICATION



II 2G Ex db IIC T5-T4 Gb
II 2D Ex tb IIIC T110°C/T140°C Db
I M2 Ex db I Mb (WS only)

AVAILABLE ACCESSORIES

ANTENNAS:

ANF72 series flexible dipole (2 dBi)
ANH73 series heavy duty J-Pole (4.35 dBi)

MOUNTING BRACKET:

PM400-0001-00
Universal mounting kit for wall and pole installation



SOLEXY SRL

Via Enrico Fermi, 2 - 25015 Desenzano del Garda (BS) ITALY . Phone: (+39) 030 787.0.787 - Fax: (+39) 030 787.0.777 . Email: info@solexy.net - P.iva/VAT/CF 03471700983

SPECIFICATIONS

GENERAL

Power supply	15V, 0,8A (min 12VDC - max 24VDC)
Power method	Passive Power over Ethernet cable (2 twists used for data, 2 twists used for power) or through dedicated terminal strip (external power supply required). A POE power supplier to be installed in safe area is included.
Max power consumption	8W
Operating frequency	2412 - 2462 MHz
Output power	28 dBm

WiFi protocol	TX Power specification		RX Power specification	
	Data Rate/MCS	Avg. Tx	Data Rate/MCS	Sensitivity
11 b/g	1-24 Mbps	28 dBm	1-24 Mbps	-97 dBm
	36 Mbps	27 dBm	36 Mbps	-80 dBm
	48 Mbps	26 dBm	48 Mbps	-77 dBm
	54 Mbps	24 dBm	54 Mbps	-75 dBm
11 n	MCS0	28 dBm	MCS0	-96 dBm
	MCS1	28 dBm	MCS1	-95 dBm
	MCS2	28 dBm	MCS2	-92 dBm
	MCS3	28 dBm	MCS3	-90 dBm
	MCS4	27 dBm	MCS4	-86 dBm
	MCS5	25 dBm	MCS5	-83 dBm
	MCS6	23 dBm	MCS6	-77 dBm
	MCS7	22 dBm	MCS7	-74 dBm

Ambient temp. range	WA series -20°C (-4°F) +59°C (+138°F) WS series -20°C (-4°F) +47°C (+116°F)
---------------------	--

HARDWARE

CPU	Atheros MIPS 24KC, 400 MHz
Memory	32 MB SDRAM, 8 MB Flash
LAN	Ethernet 100 Mbps

NOMENCLATURE

S WA A01 10 - 42 0 X1
a b c d

a Enclosure

WA	Aluminum polyester powder coated
WS	Stainless steel AISI 316 (CF8M) electropolish

b Antenna coupler ⁽¹⁾

03	n° 1 AXN series (N Female)
04	n° 1 AXF series (RP-SMA Female)

c Cable entrie

42	n° 4 3/4" npt-f (one used for antenna coupler)
44	n° 4 M25x1.5 (one used for antenna coupler)

d Approvals

X1	IECEX and ATEX Gas and Dust (WA only)
X2	IECEX and ATEX Gas, Dust and Mining (WS only)

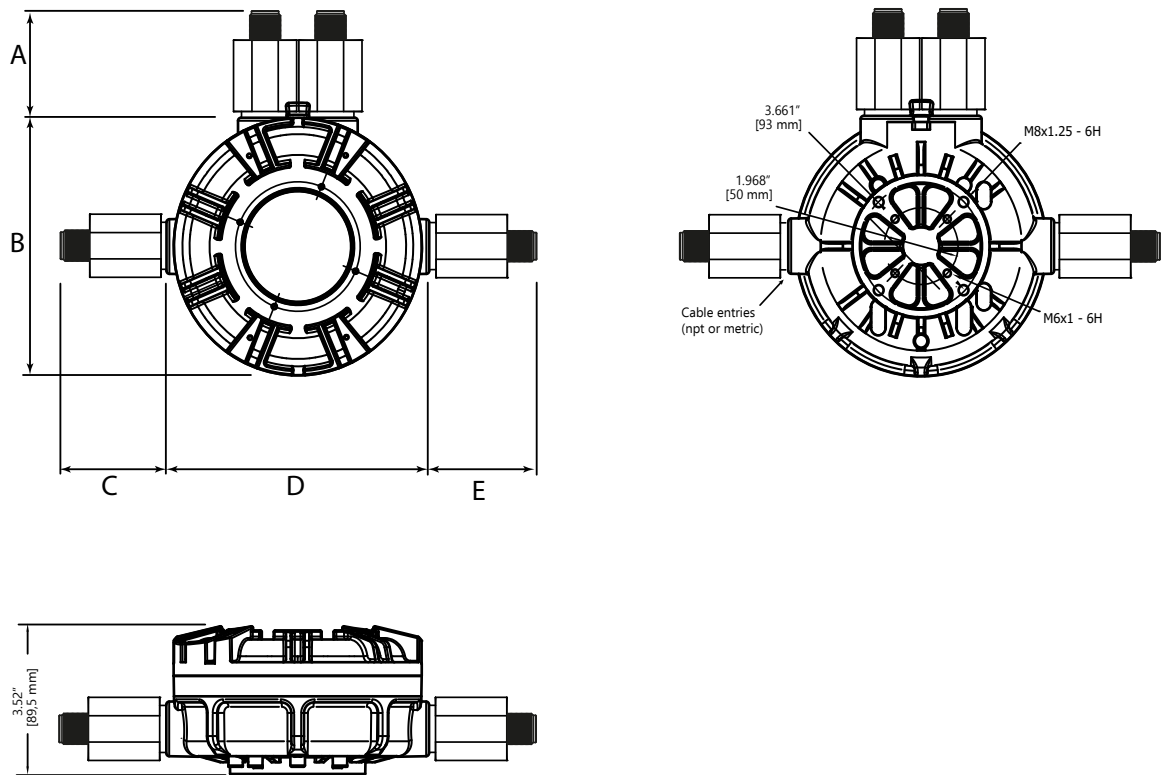
(1) Antenna not included.



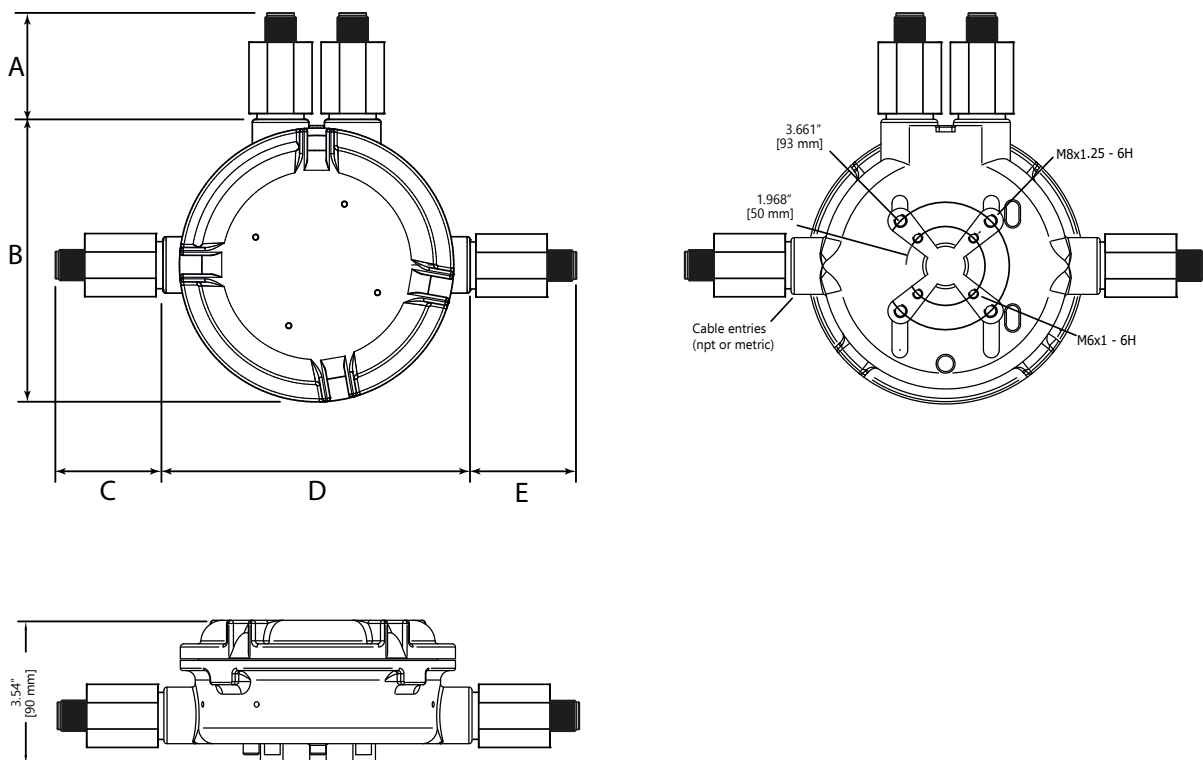
DIMENSIONAL DRAWINGS



WA



WS



SPECIFICATIONS

Device	Model	A (*)	B (*)	C (*)	D (*)	E (*)
Explosion proof VHF & UHF radiomodems						
512 542	S WA	-	179,8 mm [7.08"]	58,5 mm [2.30"]	180 mm [7.09"]	-
	S WS	-	180,5 mm [7.11"]	58,5 mm [2.30"]	196 mm [7.72"]	-
Explosion proof Modbus RTU radiomodems						
510 540	S WA	-	179,8 mm [7.08"]	58,5 mm [2.30"]	180 mm [7.09"]	-
	S WS	-	180,5 mm [7.11"]	58,5 mm [2.30"]	196 mm [7.72"]	-
51E 54E	S WA	-	179,8 mm [7.08"]	70 mm [2.76"]	180 mm [7.09"]	-
	S WS	-	180,5 mm [7.11"]	70 mm [2.76"]	196 mm [7.72"]	-
Explosion proof Router WiFi access point						
U_0 L_0 M_0 H_0 G_0	S WA	58,5 mm [2.30"]	179,8 mm [7.08"]	-	180 mm [7.09"]	-
	S WS	58,5 mm [2.30"]	180,5 mm [7.11"]	-	196 mm [7.72"]	-
U_1 L_1 M_1 H_1 G_1	S WA	58,5 mm [2.30"]	179,8 mm [7.08"]	-	180 mm [7.09"]	-
	S WS	58,5 mm [2.30"]	180,5 mm [7.11"]	-	196 mm [7.72"]	-
Explosion proof WiFi access point						
A01	S WA	-	179,8 mm [7.08"]	70 mm [2.76"]	180 mm [7.09"]	-
	S WS	-	180,5 mm [7.11"]	70 mm [2.76"]	196 mm [7.72"]	-
Explosion proof WiFi MIMO access point						
A02	S WA	-	179,8 mm [7.08"]	70 mm [2.76"]	180 mm [7.09"]	70 mm [2.76"]
	S WS	-	180,5 mm [7.11"]	70 mm [2.76"]	196 mm [7.72"]	70 mm [2.76"]
Explosion proof Bluetooth serial adapter						
B10 B11	S WA	-	179,8 mm [7.08"]	58,5 mm [2.30"]	180 mm [7.09"]	-
	S WS	-	180,5 mm [7.11"]	58,5 mm [2.30"]	196 mm [7.72"]	-
Explosion proof RF junction box						
001 002 003 004 007 008 009 010 011 012	H WA	-	179,8 mm [7.08"]	70 mm [2.76"]	180 mm [7.09"]	-
	H WS	-	180,5 mm [7.11"]	70 mm [2.76"]	196 mm [7.72"]	-

(*) dimension related to N female antenna connector

